

EBD9315-II User's Guide

EBD9315-II Hardware Manual

Copyright Shenzhen Embedall Technology Co., Ltd

2007-6-6

V3.1-E

Contents

1. Power..... 4

2. CF & IDE Interface..... 4

3. USART 5

4. JTAG Interface 6

5. Keyboard..... 7

6. USB..... 7

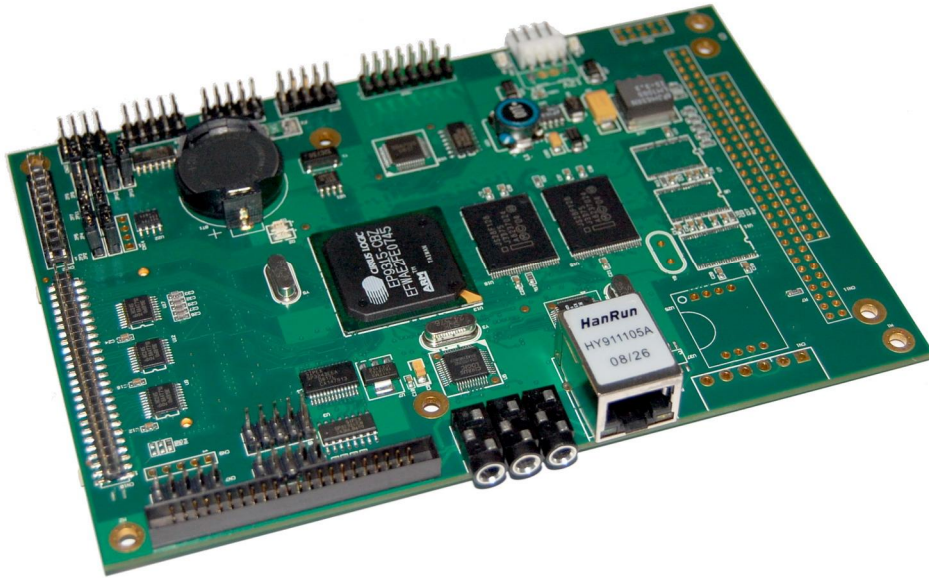
7. LCD..... 8

8. VGA..... 9

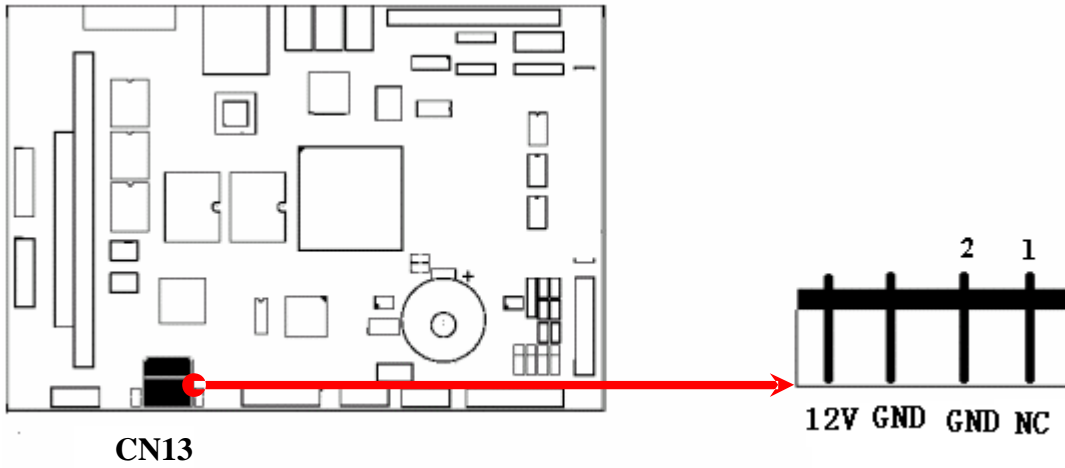
9. Network, Audio & PWM..... 9

10. Mode select & Reset 10

EBD9315-II

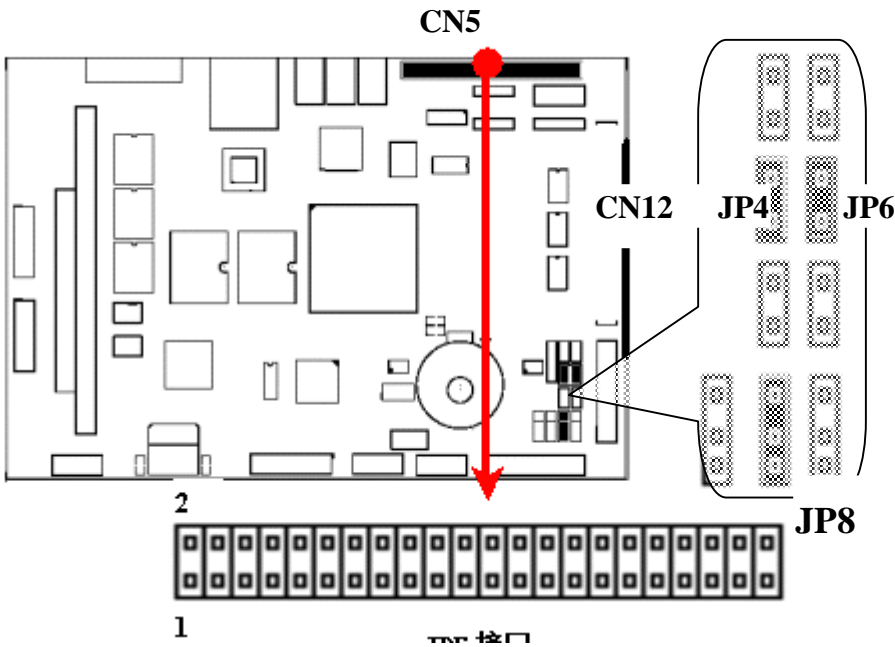


1. Power



Only power input: 12V.

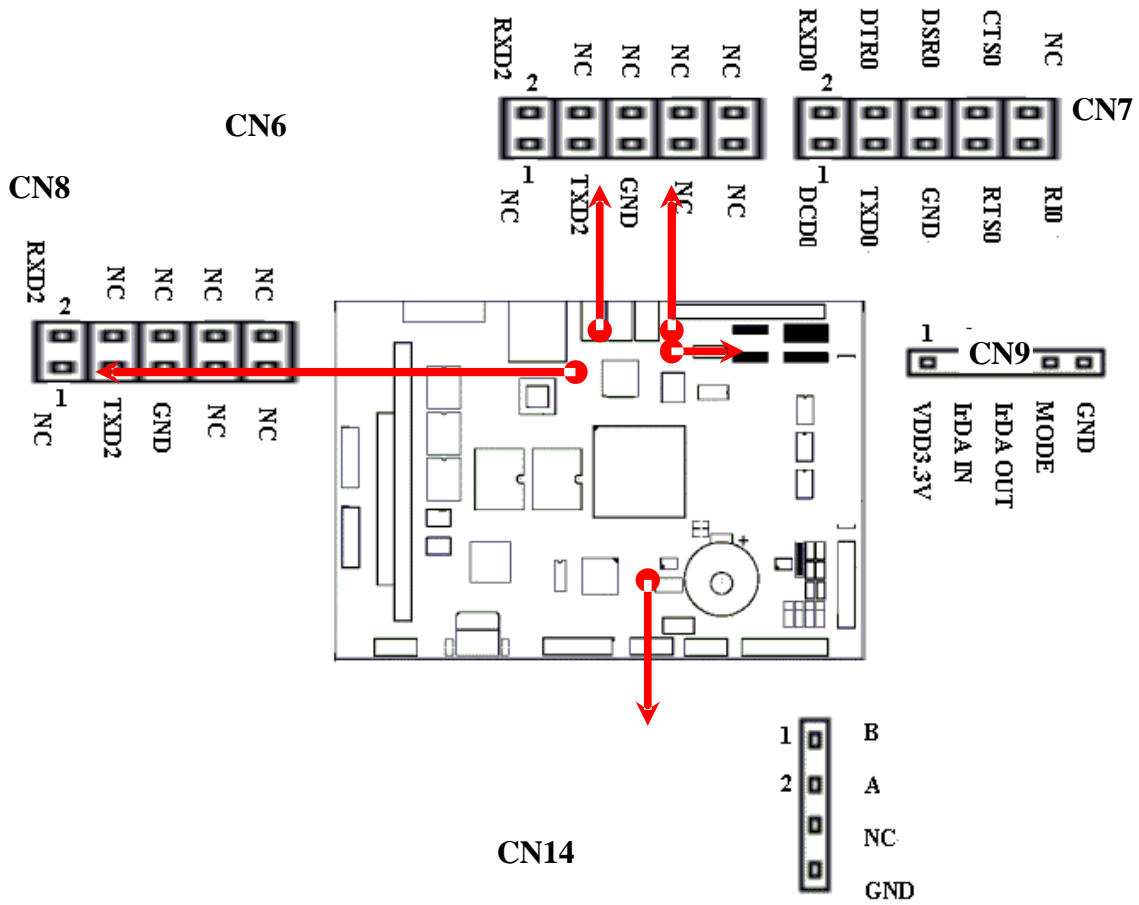
2. CF & IDE Interface



CN5 is a standard IDE interface, make the JP6 short circuit makes the IDE interface works in the primary mode, while keep it open makes the IDE interface works in the slave mode.

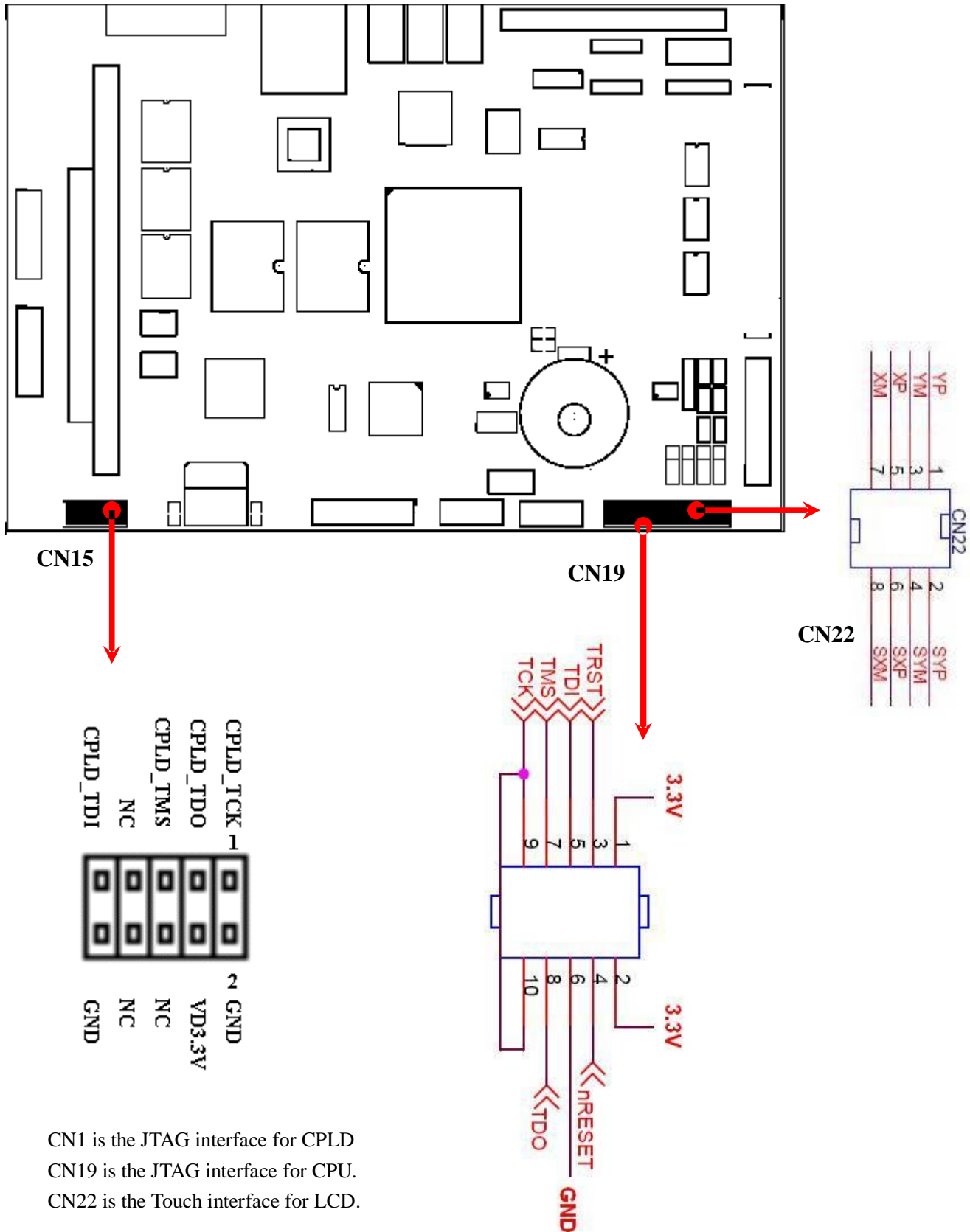
CN12 (on the back of the board) is the CF card jack, make the JP4 short circuit makes the CF card works in primary mode, while keep it open makes it works in slave mode.

3. USART



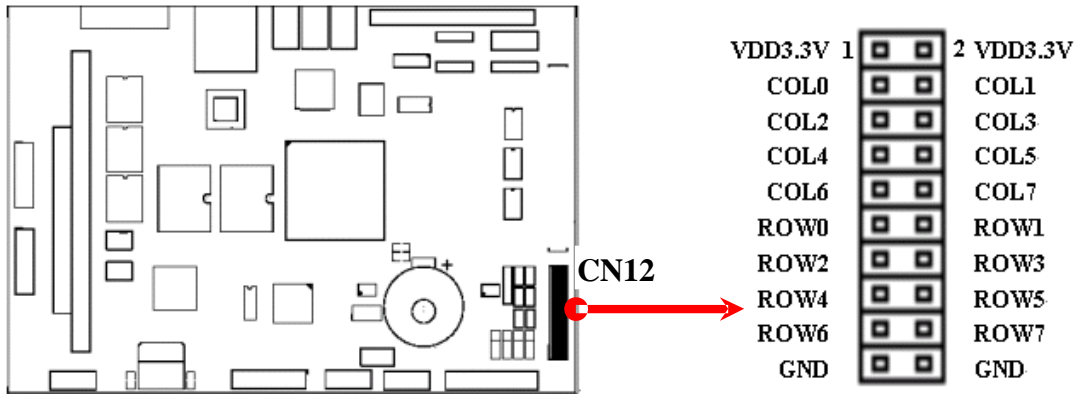
CN6	USART2
CN7	USART0
CN8	USART1
CN9	IrDA
CN14	485 A, B differential output

4. JTAG Interface



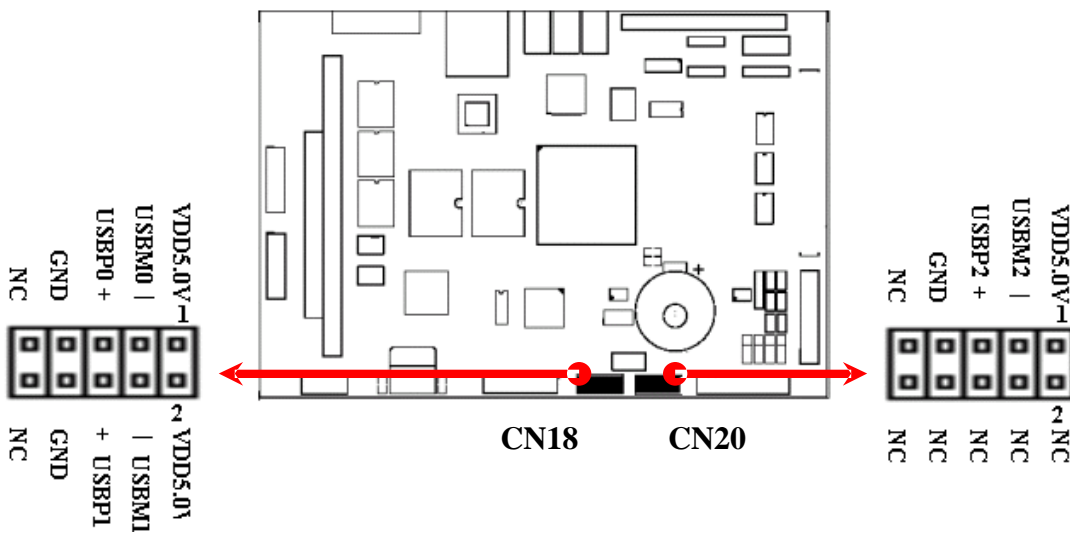
CN1 is the JTAG interface for CPLD
 CN19 is the JTAG interface for CPU.
 CN22 is the Touch interface for LCD.

5. Keyboard



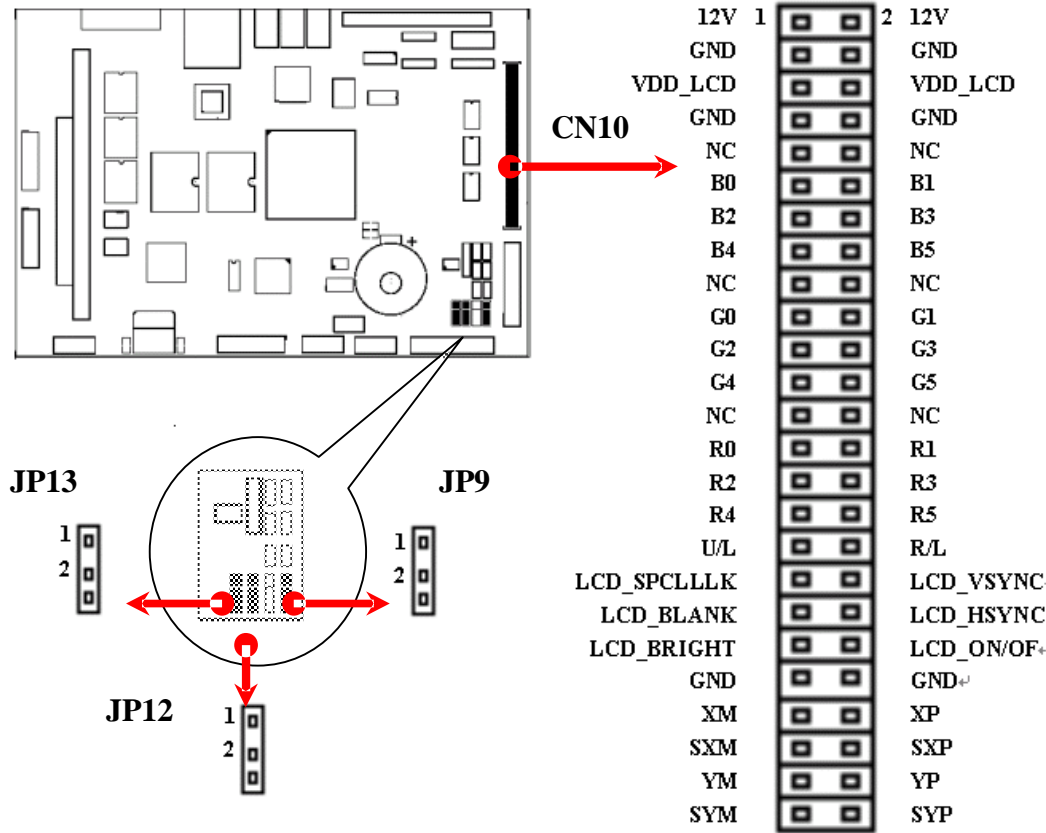
There are 16 PIO pins for keyboard, can provide 64 keys (8*8).

6. USB



Three USB provided:
 CN18: USB0, USB1
 CN20 USB2

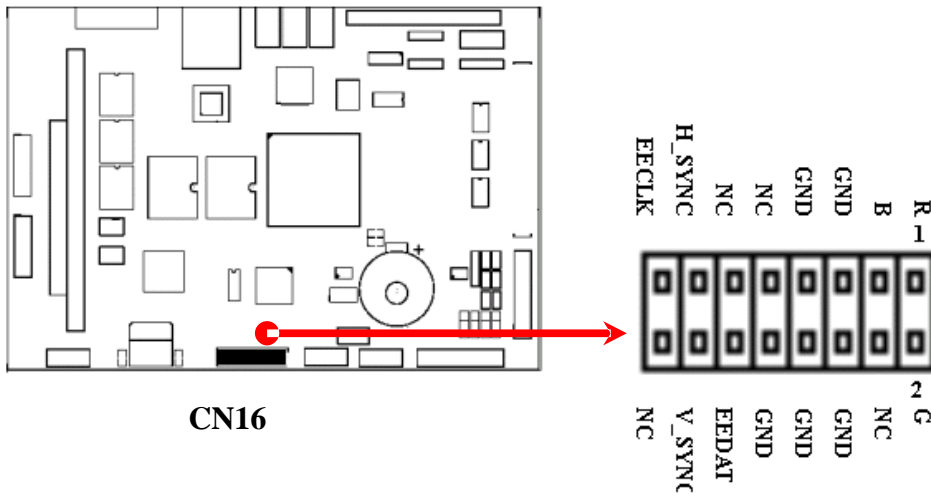
7. LCD



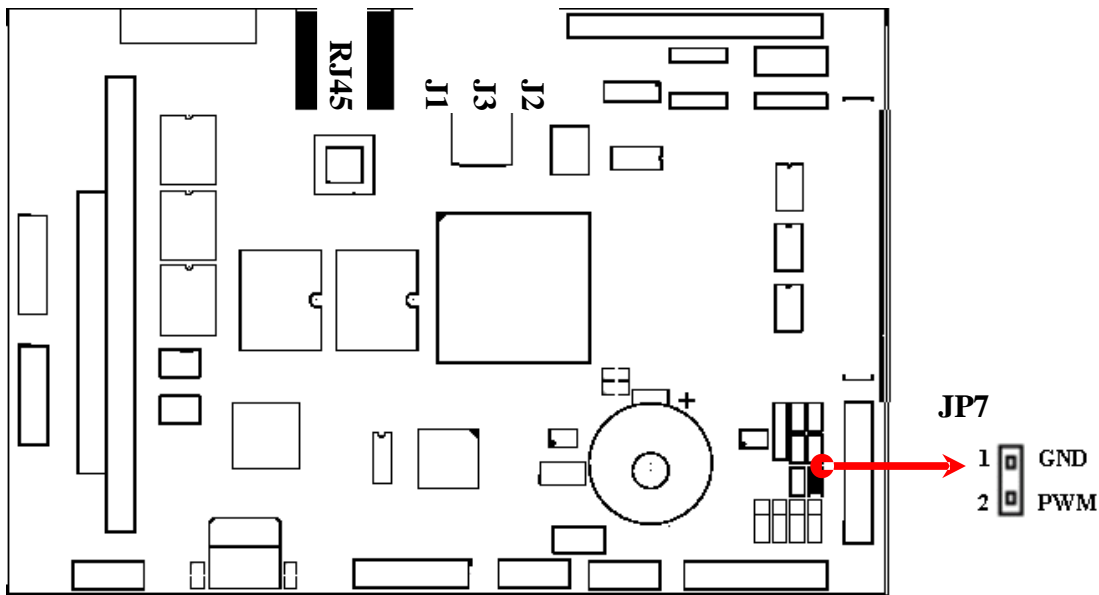
CN10 is the LCD interface.

- JP9: pin 1,2 short-circuit makes VDD_LCD output 5V
Pin 2,3 short-circuit makes VDD_LCD output 3.3V
- JP12: pin 1,2 short-circuit makes the LCD scan from left to right
Pin 2,3 short-circuit makes the LCD scan from right to left
- JP13: pin 1,2 short-circuit makes the LCD scan from up to down
Pin 2,3 short-circuit makes the LCD scan from down to up

8. VGA

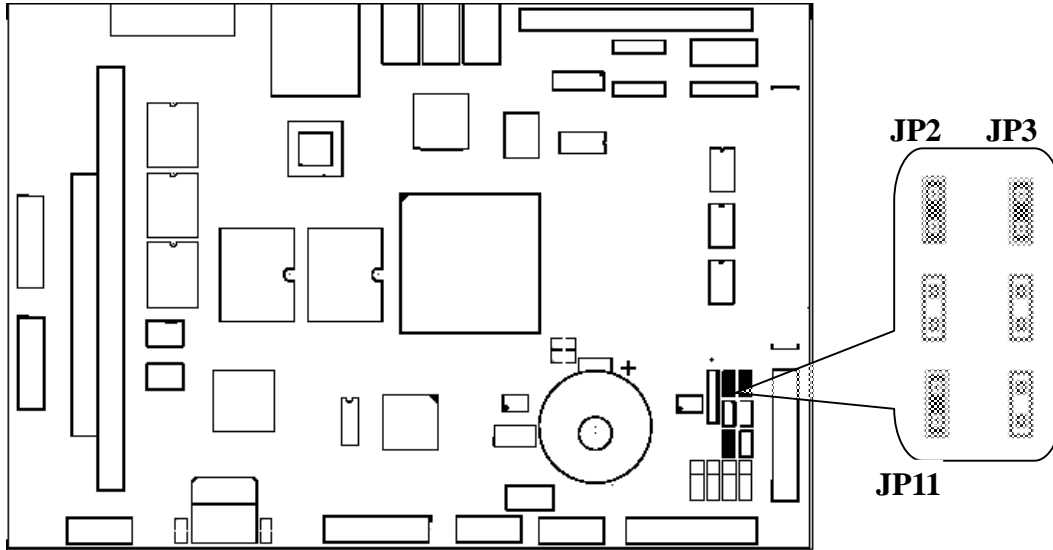


9. Network, Audio & PWM



- RJ45 network
- J1 Audio output
- J3 Microphone input
- J2 Audio input
- JP7 PWM output

10. Mode select & Reset



JP11 is the RESET switch, makes it short circuit causes the board reset.

JP2 and JP3 for mode select. When makes the JP3 short circuit and keep the JP2 open, select the Uart mode(for download the REDBOOT), while makes the JP2 and JP3 short circuit select the flash boot mode.